

VARIO®化学真空系统 PC 3004 VARIO

网站链接



产品说明

VARIO®泵及其真空系统通过调节隔膜泵的马达转速实现精准的真空控制。按一个键后，即可实现全自动的蒸发控制。该系列的基础泵是MD 4C NT VARIO三级化学隔膜泵，满足大部分高沸点溶剂的高真空需求。PC 3004 VARIO是大量溶剂蒸发的可靠之选。在进气口配备一个外覆保护膜的玻璃材质的分离瓶，防止颗粒或液滴进入泵内。出气口废气冷凝器可实现近100%的溶剂回收效果，有效地循环利用溶剂，同时主动地保护环境。按需调控的马达速度控制使得膜片等磨损件的寿命超长。

性能特点

- 整个过程真空度自动调节，过程稳定性高，操作过程无需过多干预
- 抽速大，使其过程所需时间短，零波动（无滞后）的真空控制
- CVC 3000真空控制器非常易于操作，文本菜单清晰，内置放气阀
- 膜片寿命极长，将操作成本和维修成本降到最低
- PC 3004 VARIO：高效的溶剂回收系统，使其成为一款环境友好的产品

订购信息

产品名称	额定电源电压 工作频率	电源插头类型	订货号
PC 3004 VARIO	200-230 V 50-60 Hz	CEE	20737500
PC 3004 VARIO	200-230 V 50-60 Hz	CH, CN	20737501
PC 3004 VARIO	200-230 V 50-60 Hz	UK, IN	20737502

货品配置

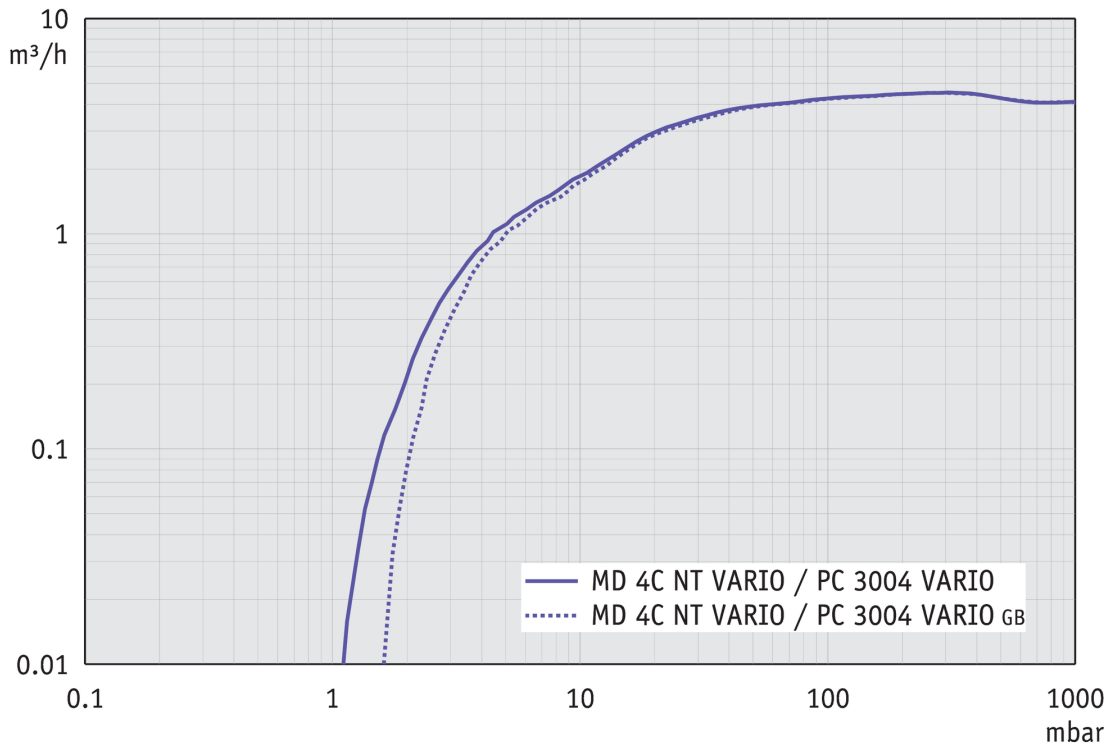
真空系统安装完毕, 连接即可使用, 附带说明书

配件

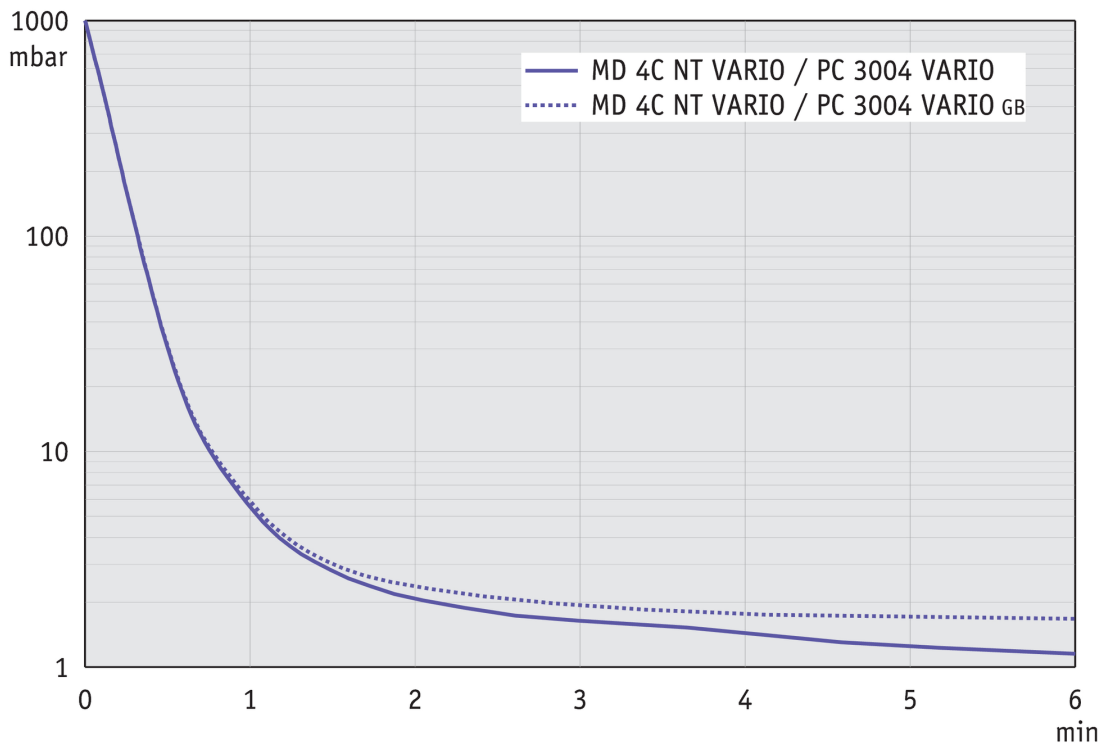
技术指标

50 Hz 最大抽速 (mbar)	4.6 m ³ /h
60 Hz 最大抽速 (cfm)	2.7 cfm
极限真空	1.5 mbar / 1.1 torr
极限真空, 使用气镇	3 mbar / 2.2 torr
泵头数	4
泵级数	3
真空控制器	CVC 3000
的允许环境温度范围 (运行)	10 - 40 °C
的允许环境温度范围 (存放)	-10 - 60 °C
最大出气口压力 (绝对压力)	1.1 bar
进气口连接	软管喷嘴接头 DN 8-10 mm
出气口连接	软管喷嘴接头 DN 8-10 mm
冷却液接口	2个 DN 6-8 mm 软管喷嘴接头
额定电机功率	0.53 kW
电机转速范围	30 - 2400 min ⁻¹
防护等级	IP 20
尺寸 (长x宽x高)	419 mm x 243 mm x 444 mm
重量	20.6 kg
噪音水平 50 Hz/1500 Upm/62% (VARIO)/1500 Upm (VARIO-SP)/12500 Upm (VACUU·PURE®)	43 dBA
NRTL 标准	否

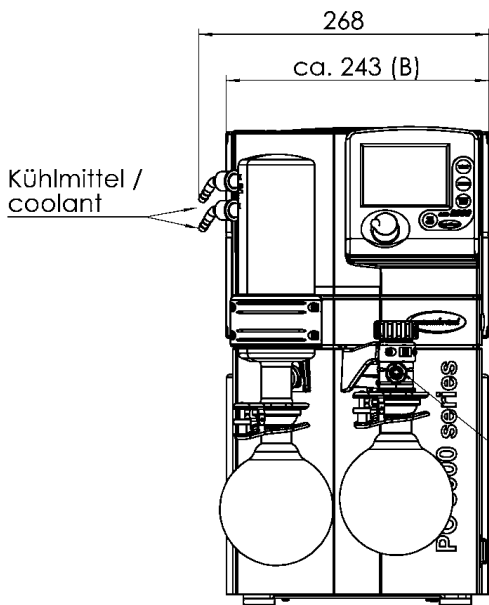
50 Hz下的抽速曲线



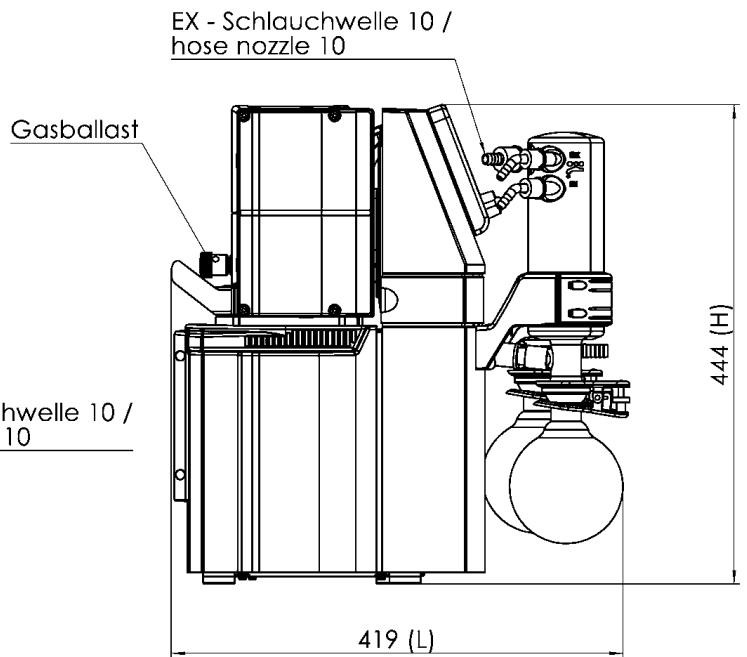
50 Hz下的抽气曲线 (10升容积)



尺寸规格表



Alle Maße / all dimensions (mm)
Gewicht / weight: ca.20,6 kg



VACUUBRAND PC 3004 VARIO
Version 2009/05/06

VACUUBRAND GMBH + CO KG
P.O. Box 1664
97877 Wertheim
T +49 9342 808 5550
F +49 9342 808 5555

info@vacuubrand.com
www.vacuubrand.com

VACUUBRAND®

VACUUBRAND is part of the Brand group, a manufacturer of high-quality and innovative laboratory equipment and vacuum technology with a global team of approx. 1,000 employees.

With highly motivated and qualified employees, we manufacture the world's most comprehensive product family for vacuum generation, measurement and control for the rough and fine vacuum range in the laboratory.

All with one goal:

Enabling our customers to run reliable, safe and efficient processes. This is why we commit ourselves to continuous innovation, first-class performance, and outstanding quality.

Engineering excellence is central to our ability to deliver products and solutions renowned for their quality, durability, and reliability. Innovative technology, high quality materials and extensive testing deliver unmatched performance - engineered and manufactured in Germany.

Together with you, our experts will find the best solution for your application and provide you with first-class service along the way.

BRAND (Shanghai) Trading Co., Ltd.
Shanghai, China

T +86 21 6422 2318
info@brand.com.cn
china.brand.com.cn

BRAND Scientific Equipment Pvt. Ltd.
Mumbai, India

T +91 22 42957790
customersupport@brand.co.in
www.brand.co.in

BRANDTECH® Scientific, Inc.
Essex, CT. United States of America

T +1 860 767 2562
info@brandtech.com
www.brandtech.com