

化学隔膜泵 ME 4C NT +2AK

[网站链接](#)

产品说明

该化学真空系统结合了大抽速和达70mbar的低极限真空的优点，因此是一个非常适用于抽取大量气体或蒸汽的手段。该化学真空系统在化学、生物和制药实验室有广泛用途，主要用于不需要在出气口收集溶剂蒸汽冷凝液的实验。主要用于连接真空烘箱、单联或多联抽滤及低沸点溶剂的浓缩。进气口的分离瓶（AK）为玻璃材质，外覆保护膜，防止颗粒和液滴进入泵内。出气口的分离瓶用于收集冷凝液，防止冷凝液倒流回泵内，并使泵在运行时更加安静。

性能特点

- 卓越的化学耐腐蚀性和蒸汽耐受性
- 在较高真空度下仍具有非常好的性能
- 结构紧凑
- 排气安静，振动极低
- 进气口和出气口分别配分离瓶用以收集冷凝液

订购信息

产品名称	额定电源电压 工作频率	电源插头类型	订货号
ME 4C NT +2AK	200-230 V 50-60 Hz 100-115 V 50-60 Hz	IEC 插头 EN 60320	22614080

货品配置

真空系统安装完毕，连接即可使用，附带说明书，配双电压电机

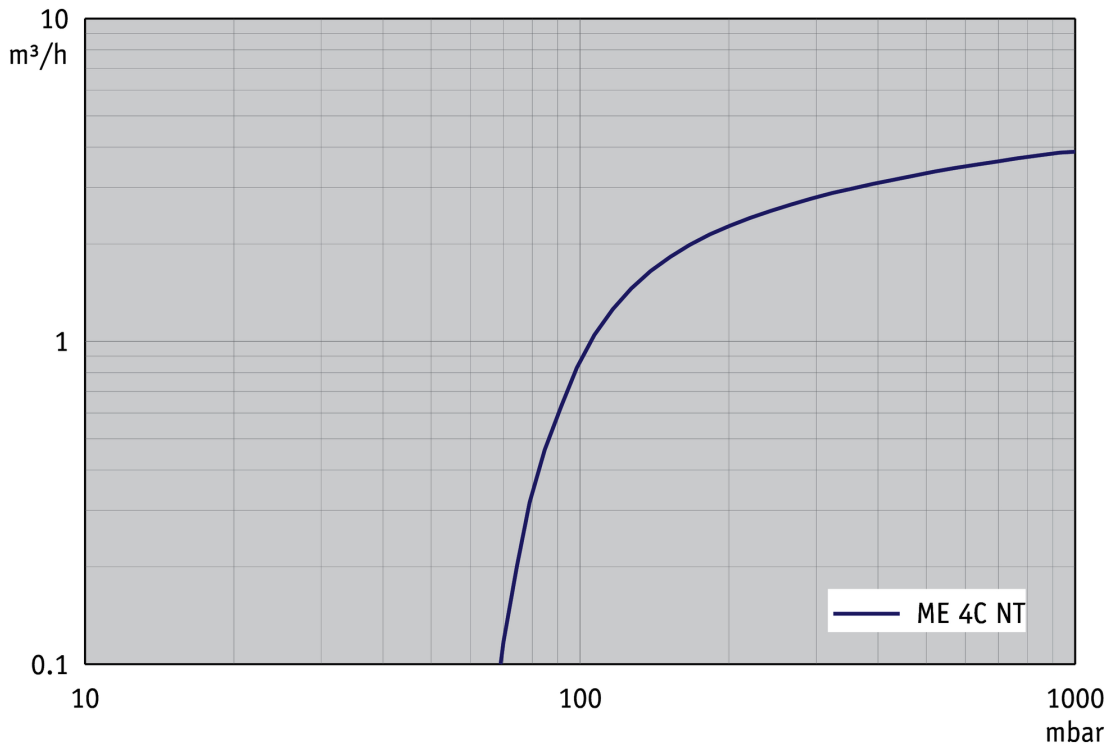
配件

- DN 8-10mm (20636588)
- VACUU-LAN® 模块 DN 10/8 mm (20637873)
- 橡胶真空管 DN 8 mm (20686001)
- 密封圈套装 ME 4C NT (20696864)
- DN 8-10mm (20636588)
- 橡胶真空管 DN 8 mm (20686001)

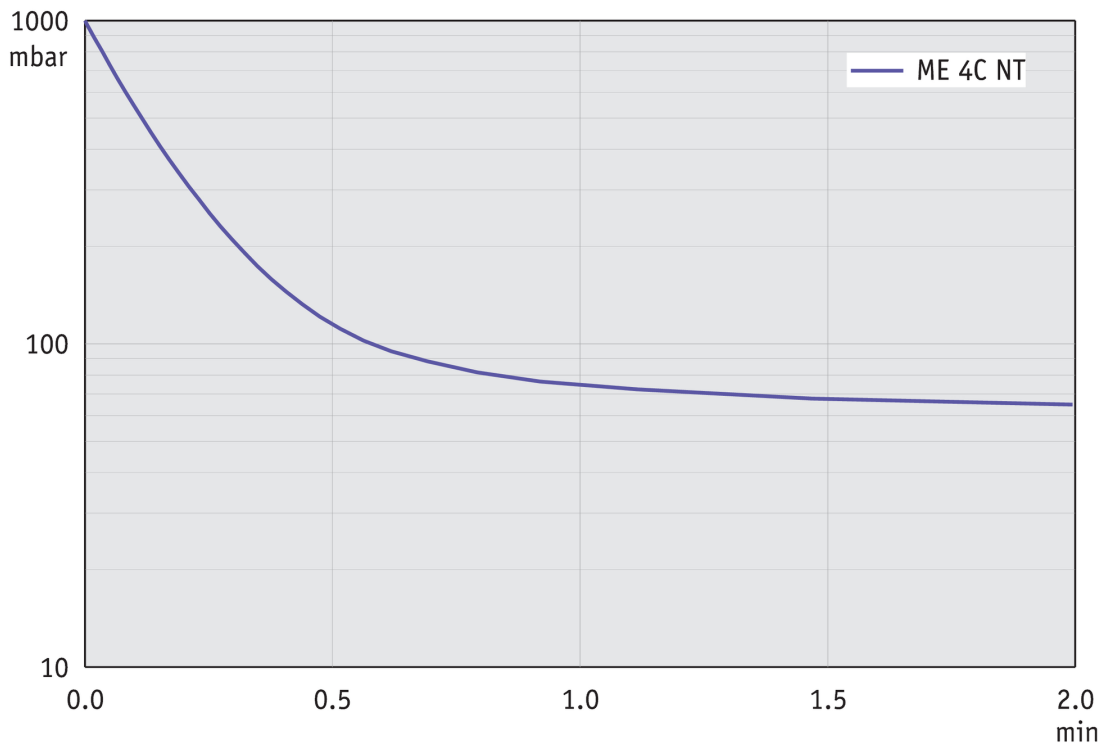
技术指标

50 Hz 最大抽速 (mbar)	3.9 m ³ /h
60 Hz 最大抽速 (cfm)	2.6 cfm
极限真空	70 mbar / 52 torr
泵头数	2
泵级数	1
的允许环境温度范围 (运行)	10 - 40 °C
的允许环境温度范围 (存放)	-10 - 60 °C
最大出气口压力 (绝对压力)	1.1 bar
进气口连接	软管喷嘴接头 DN 8-10 mm
出气口连接	软管喷嘴接头 DN 8-10 mm
额定电机功率	0.18 kW
额定转速 50/60 Hz	1500/1800 min ⁻¹
防护等级	IP 40
尺寸 (长x宽x高)	316 mm x 242 mm x 291 mm
重量	13.6 kg
噪音水平 50 Hz/1500 Upm/62% (VARIO)/1500 Upm (VARIO-SP)/12500 Upm (VACUU·PURE®)	45 dBA
ATEX规格	II 3/- G Ex h IIC T3 Gc X Internal Atm. only
NRTL 标准	是

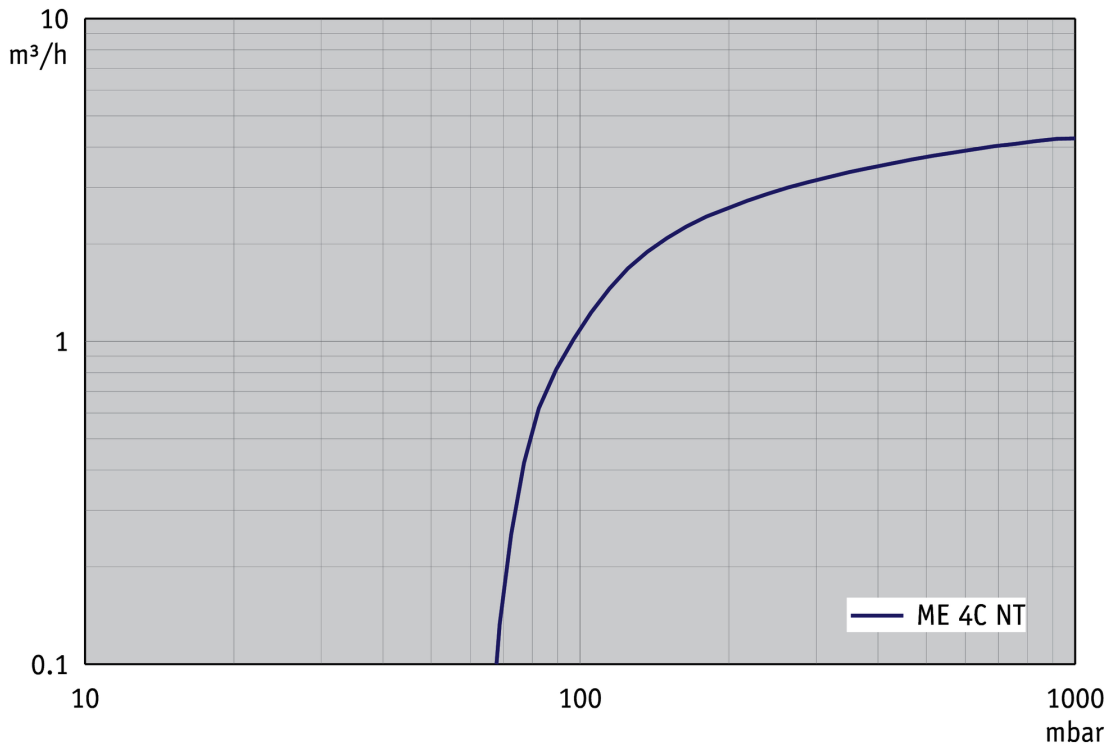
50 Hz下的抽速曲线



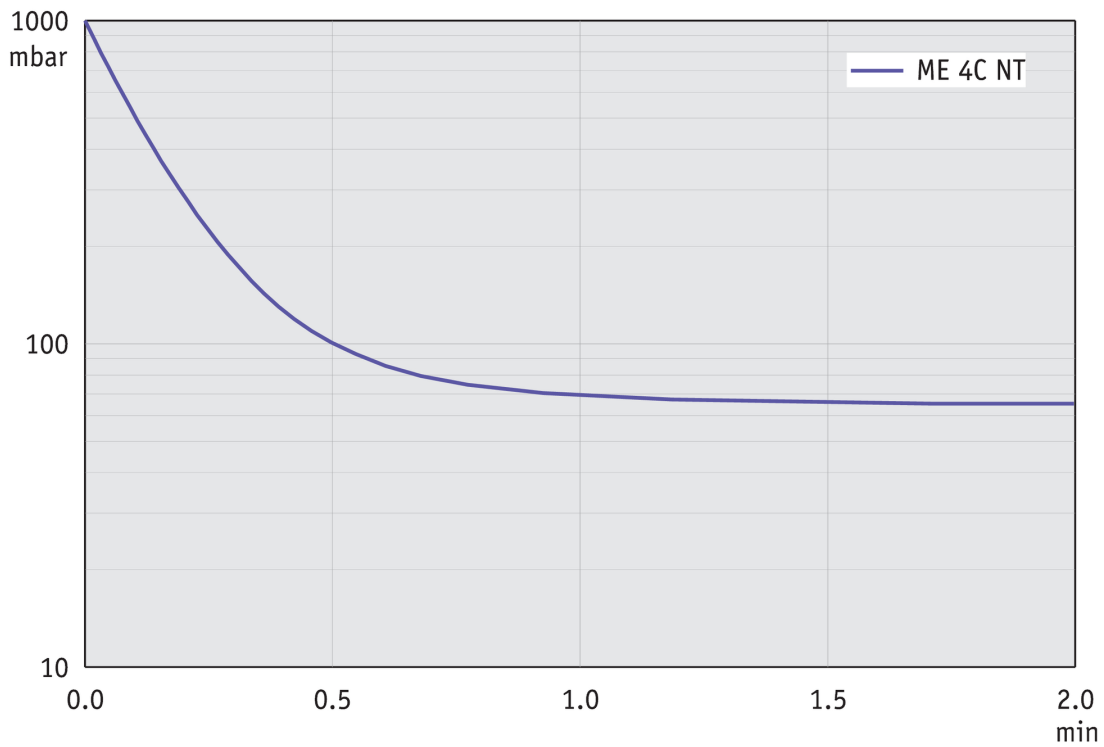
50 Hz下的抽气曲线 (10升容积)



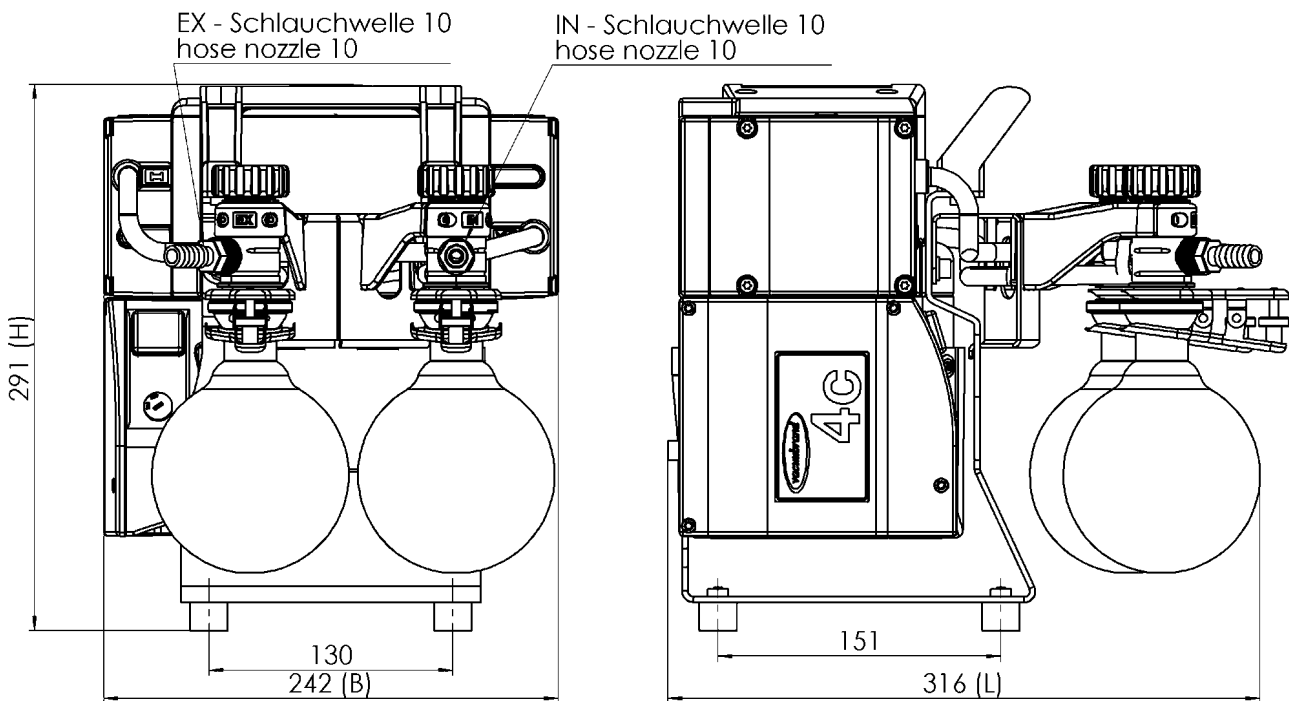
60 Hz下的抽速曲线



60 Hz下的抽气曲线 (10升容积)



尺寸规格表



Alle Maße / all dimensions (mm)

VACUUBRAND ME 4C NT 2AK
Version 2011/05/11

VACUUBRAND GMBH + CO KG
P.O. Box 1664
97877 Wertheim
T +49 9342 808 5550
F +49 9342 808 5555

info@vacuubrand.com
www.vacuubrand.com

VACUUBRAND®

VACUUBRAND is part of the Brand group, a manufacturer of high-quality and innovative laboratory equipment and vacuum technology with a global team of approx. 1,000 employees.

With highly motivated and qualified employees, we manufacture the world's most comprehensive product family for vacuum generation, measurement and control for the rough and fine vacuum range in the laboratory.

All with one goal:

Enabling our customers to run reliable, safe and efficient processes. This is why we commit ourselves to continuous innovation, first-class performance, and outstanding quality.

Engineering excellence is central to our ability to deliver products and solutions renowned for their quality, durability, and reliability. Innovative technology, high quality materials and extensive testing deliver unmatched performance - engineered and manufactured in Germany.

Together with you, our experts will find the best solution for your application and provide you with first-class service along the way.

BRAND (Shanghai) Trading Co., Ltd.
Shanghai, China

T +86 21 6422 2318
info@brand.com.cn
china.brand.com.cn

BRAND Scientific Equipment Pvt. Ltd.
Mumbai, India

T +91 22 42957790
customersupport@brand.co.in
www.brand.co.in

BRANDTECH® Scientific, Inc.
Essex, CT. United States of America

T +1 860 767 2562
info@brandtech.com
www.brandtech.com