

化学隔膜泵 PC 3012 NT VARIO select DUO

[网站链接](#)

产品说明

VARIO® DUO真空系统是由两台独立的VARIO®真空系统组成，在进气口端并联，并通过一台真空控制器VACUU·SELECT同时进行操控。真空条件可精确控制。两台独立的真空泵转速可以按照真空需求精确控制。控制器既可以实现无需用户预设参数的全自动蒸馏，也可以进行特定的、可重复地程序编程。同时也可以通过数字或模拟界面集成到已有的真空控制系统中。超强的耐化学腐蚀特性为化工和制药行业提供了极佳的解决方案-且无需水或者油等运行介质。

性能特点

- VACUU·SELECT真空控制器采用图形用户界面，内置预定义应用，可以简化实验室工作
- 因其强大的真空泵，使过程时间很短，即使针对很大的气载量仍能提供精确的（无滞后）真空控制
- 满足高真空需求，如非常大量的绝大多数高沸点溶剂
- 膜片寿命极长，将操作成本和维修成本降到最低
- 优异的环境友好性，极低的能源损耗，无水无油无需介质，高效的溶剂回收率

订购信息

产品名称	额定电源电压 工作频率	电源插头类型	订货号
PC 3012 NT VARIO select DUO	200-230 V 50-60 Hz	IEC 插头 EN 60320	22615741

货品配置

真空系统安装完毕，连接即可使用，附带说明书

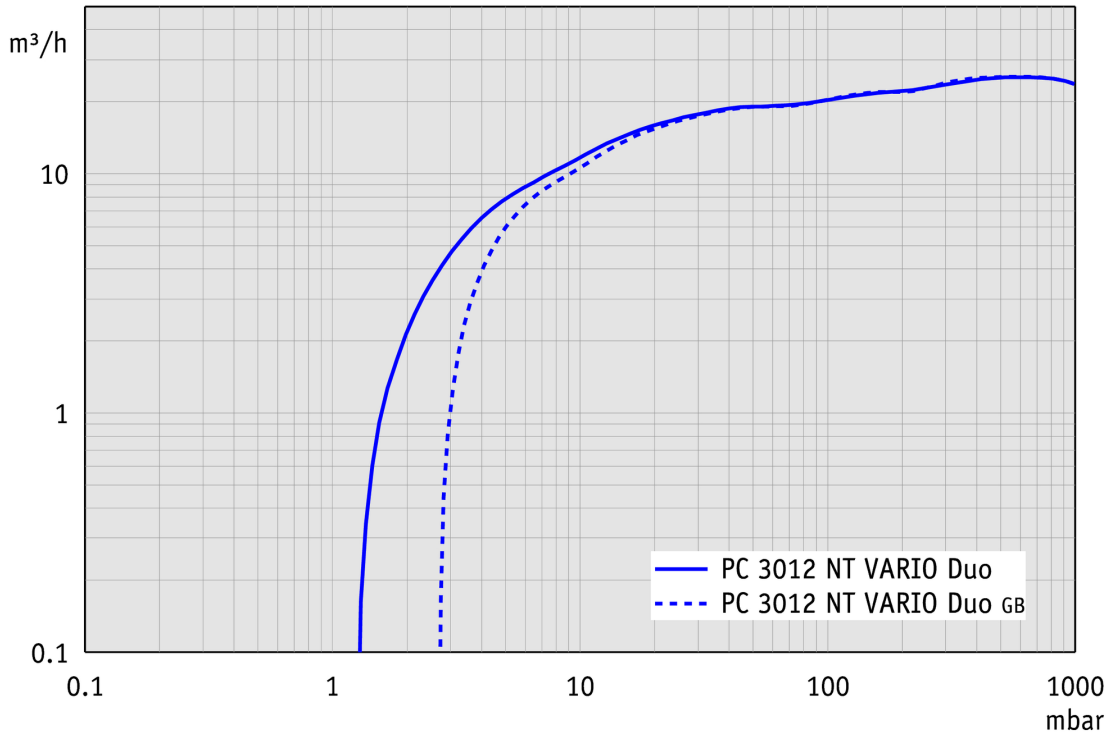
配件

- VACUU-SELECT用户管理 VACUU-SELECT User Management (20700900)
- 小法兰的中心支架 KF DN 20/25 (20660001)
- 小法兰外齐式环形中心支架 KF DN 20/25 (20660196)
- PVC真空管，内置不锈钢螺线，带小法兰 KF DN 25 (20686021)
- 用于收集瓶的液面探测传感器 500 ml (20699908)
- 冷凝水阀 VKW-B (20674220)
- 进气阀 VB M-B (20674217)

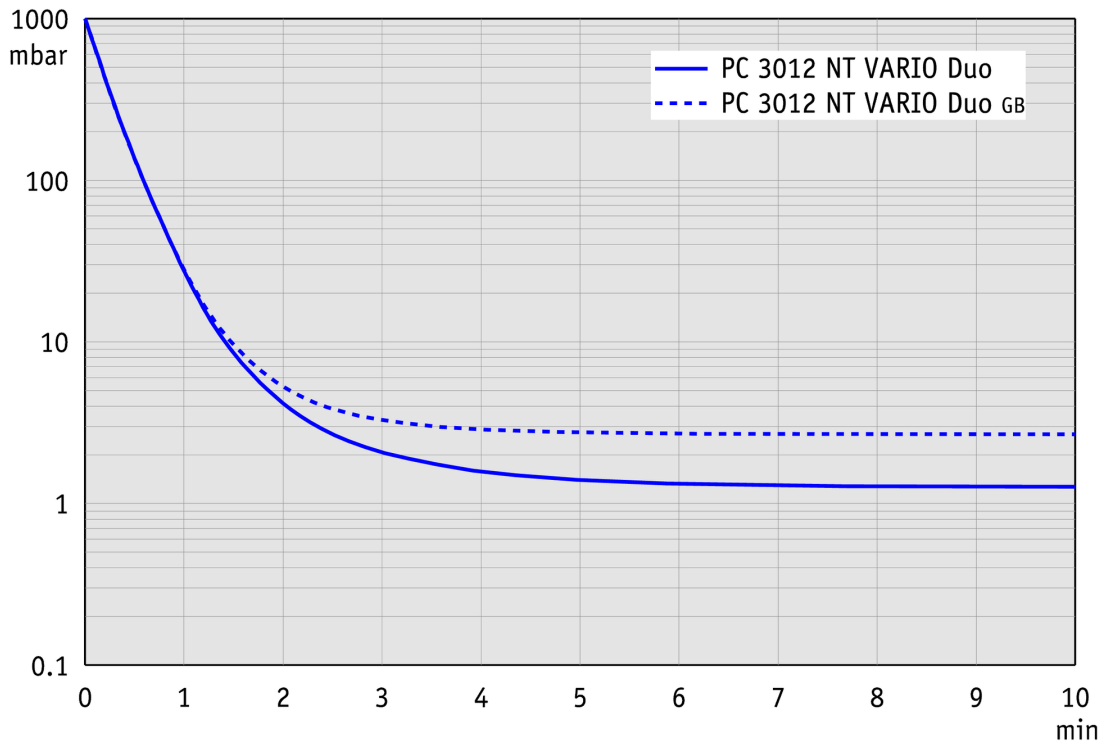
技术指标

50 Hz 最大抽速 (mbar)	28 m ³ /h
60 Hz 最大抽速 (cfm)	16.5 cfm
极限真空	1.5 mbar / 1.1 torr
极限真空, 使用气镇	3 mbar / 2.2 torr
泵头数	16
泵级数	3
真空控制器	VACUU-SELECT
的允许环境温度范围 (运行)	10 - 40 °C
的允许环境温度范围 (存放)	-10 - 60 °C
最大出气口压力 (绝对压力)	1.1 bar
进气口连接	KF DN 25 小法兰 / DN 15 mm 软管喷嘴接头
出气口连接	2个DN 10 mm 软管喷嘴接头
冷却液接口	4个 DN 6-8 mm 软管喷嘴接头
额定电机功率	1.06 kW
电机转速范围	30 - 2400 min ⁻¹
防护等级	IP 40
尺寸 (长x宽x高)	612 mm x 925 mm x 585 mm
重量	65 kg
噪音水平 50 Hz/1500 Upm/62% (VARIO)/1500 Upm (VARIO-SP)/12500 Upm (VACUU-PURE®)	53 dBA
ATEX规格	II 3/- G Ex h IIC T3 Gc X Internal Atm. only
NRTL 标准	否
通讯	Ethernet (RJ45): Modbus TCP / USB (Type A): Data transfer, software update, RS-232 (additional adapter required)

50 Hz下的抽速曲线



50 Hz下的抽气曲线 (100升容积)



60 Hz下的抽速曲线

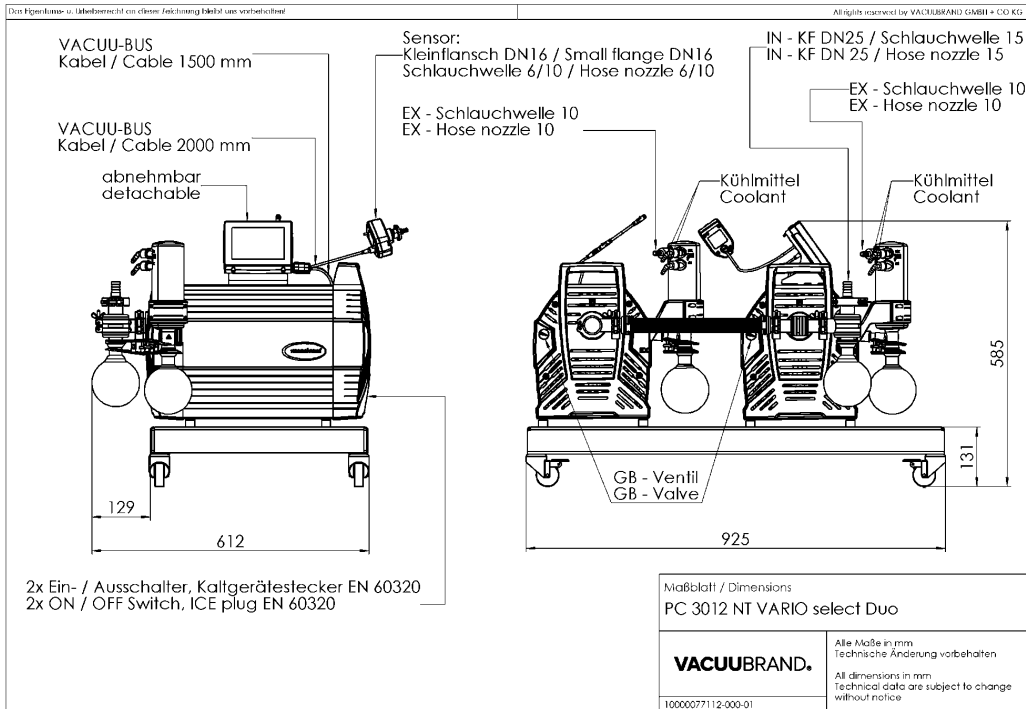
#

60 Hz下的抽气曲线（100升容积）

#

尺寸规格表





VACUUBRAND GMBH + CO KG
P.O. Box 1664
97877 Wertheim
T +49 9342 808 5550
F +49 9342 808 5555

info@vacuubrand.com
www.vacuubrand.com

VACUUBRAND®

VACUUBRAND is part of the Brand group, a manufacturer of high-quality and innovative laboratory equipment and vacuum technology with a global team of approx. 1,000 employees.

With highly motivated and qualified employees, we manufacture the world's most comprehensive product family for vacuum generation, measurement and control for the rough and fine vacuum range in the laboratory.

All with one goal:

Enabling our customers to run reliable, safe and efficient processes. This is why we commit ourselves to continuous innovation, first-class performance, and outstanding quality.

Engineering excellence is central to our ability to deliver products and solutions renowned for their quality, durability, and reliability. Innovative technology, high quality materials and extensive testing deliver unmatched performance - engineered and manufactured in Germany.

Together with you, our experts will find the best solution for your application and provide you with first-class service along the way.

BRAND (Shanghai) Trading Co., Ltd.
Shanghai, China

T +86 21 6422 2318
info@brand.com.cn
china.brand.com.cn

BRAND Scientific Equipment Pvt. Ltd.
Mumbai, India

T +91 22 42957790
customersupport@brand.co.in
www.brand.co.in

BRANDTECH® Scientific, Inc.
Essex, CT. United States of America

T +1 860 767 2562
info@brandtech.com
www.brandtech.com