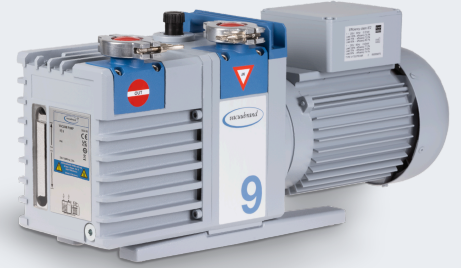


# 旋片泵

## RE 9

网站链接



### 产品说明

RE 9单级旋片泵功能强大，尺寸中等，是一款可满足较大抽速要求的实验室和工业的理想解决方案。

### 性能特点

- 在接近极限真空时仍能有很高的抽气速度
- 由于有效的气镇，使其可耐受很高的水蒸气；开启气镇仍达到很好的极限真空
- 关机时可保持真空密封；无需外置防倒吸阀
- 储油体积大：换油间隔时间长
- 采用“镜筒”式设计，易于维护

## 订购信息

产品名称	额定电源电压 工作频率	电源插头类型	订货号
RE 9	230 V   50-60 Hz	CEE	20797170

## 货品配置

泵油已安装，泵体安装完毕，连接即可使用，附带说明书

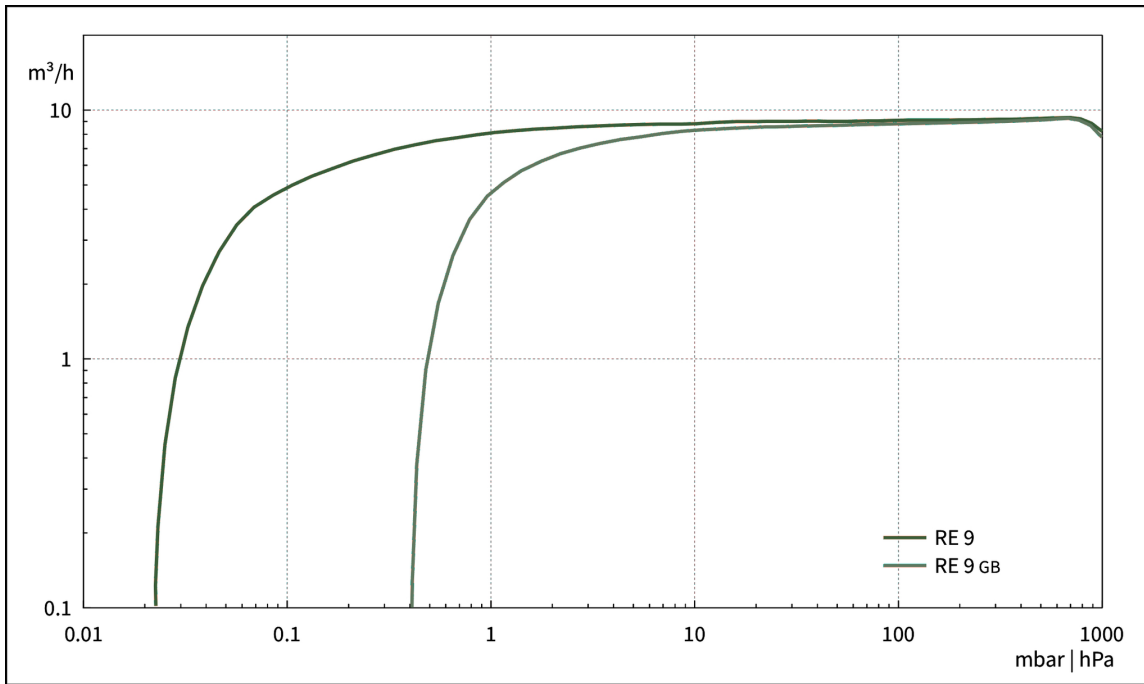
## 配件

- 出气口油雾过滤器 FO R 8/9/16 (20698017)
- 蝶阀 VS 25 (20665005)
- 小法兰的中心支架 KF DN 20/25 (20660001)
- 小法兰外齐式环形中心支架 KF DN 20/25 (20660196)
- 带软管喷嘴接头的小法兰 KF DN 25 / DN 10 mm (20662807)
- 带小法兰的金属真空管 KF DN 25 (20673337)
- 橡胶真空管 DN 10 mm (20686002)
- 维护套件 RE 8 - RZ 16 (20649988)

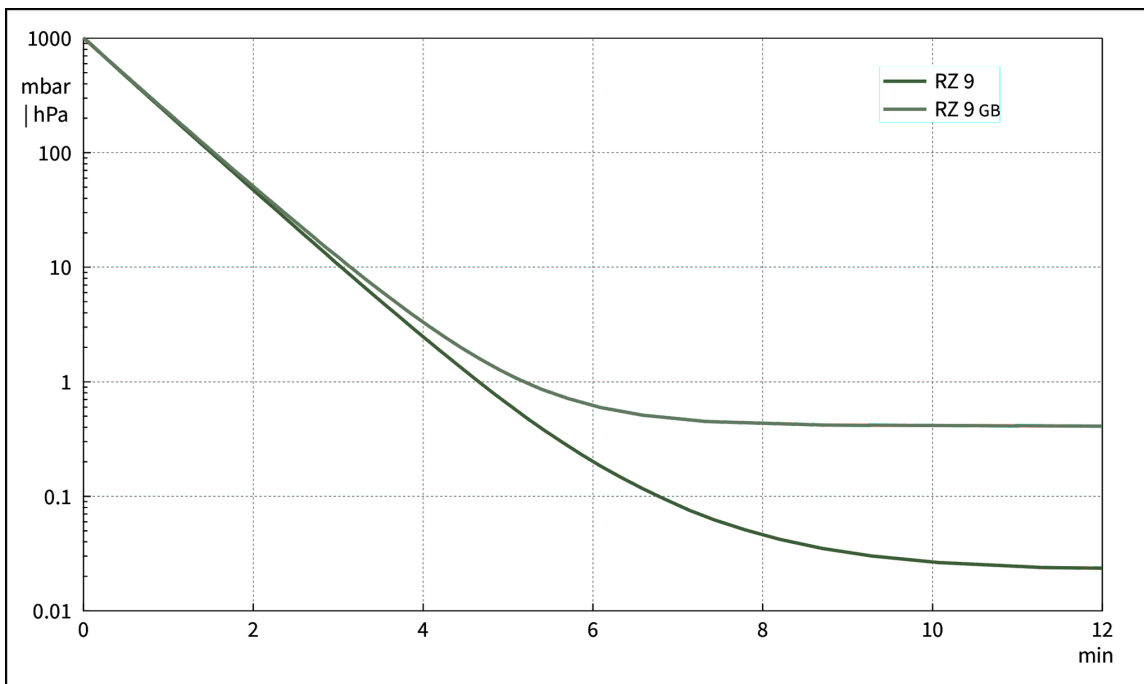
**技术指标**

50 Hz 最大抽速 (mbar)	8.9 m <sup>3</sup> /h
60 Hz 最大抽速 (cfm)	6.0 cfm
极限真空	1 x 10 <sup>-1</sup> mbar / 0.75 x 10 <sup>-1</sup> torr
极限真空, 使用气镇	6 x 10 <sup>-1</sup> mbar / 4.5 x 10 <sup>-1</sup> torr
不开气镇的极限分压, 单位	1 x 10 <sup>-1</sup> mbar / 0.75 x 10 <sup>-1</sup> torr
开气镇的水蒸气允许压力	40 mbar / 30 torr
泵级数	1
的允许环境温度范围 (运行)	15 - 40 °C
的允许环境温度范围 (存放)	-10 - 60 °C
最大出气口压力 (绝对压力)	1.1 bar
注油量 min./max.	0.6 / 1.4 l
进气口连接	KF DN 25 小法兰
出气口连接	KF DN 25 小法兰
额定电机功率	0.30 kW
额定转速 50/60 Hz	1500/1800 min <sup>-1</sup>
防护等级	IP 40
尺寸 (长x宽x高)	503 mm x 156 mm x 240 mm
重量	22 kg
噪音水平 50 Hz/1500 Upm/62% (VARIO)/1500 Upm (VARIO-SP)/12500 Upm (VACUU·PURE®)	52 dBA
NRTL 标准	否

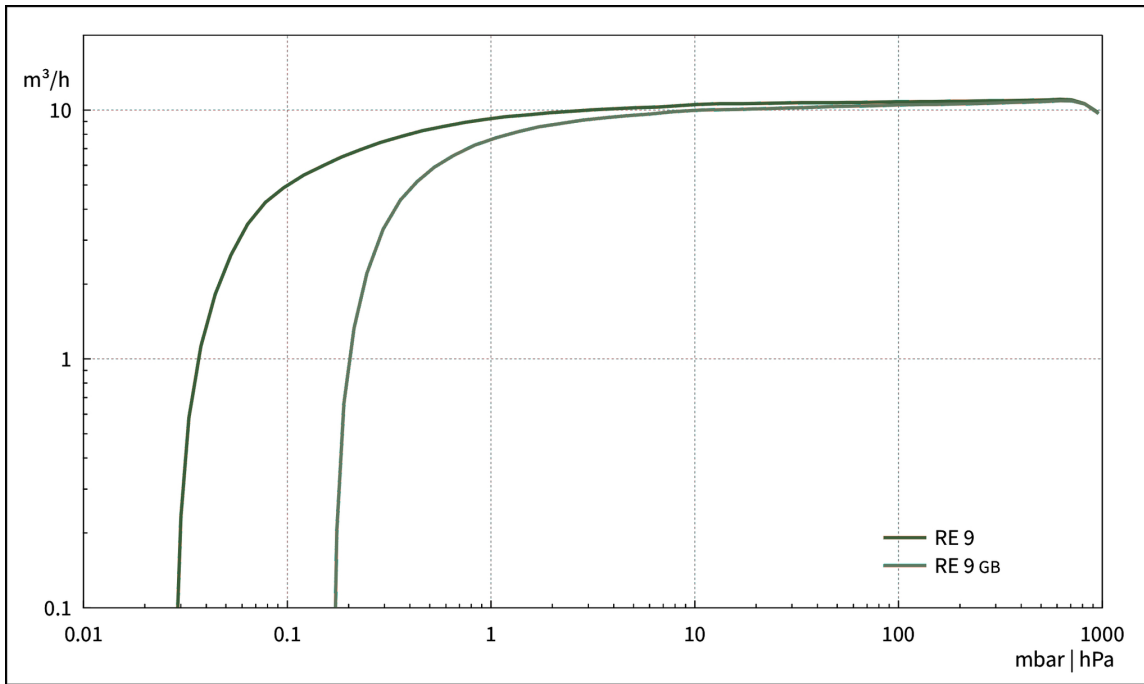
50 Hz下的抽速曲线



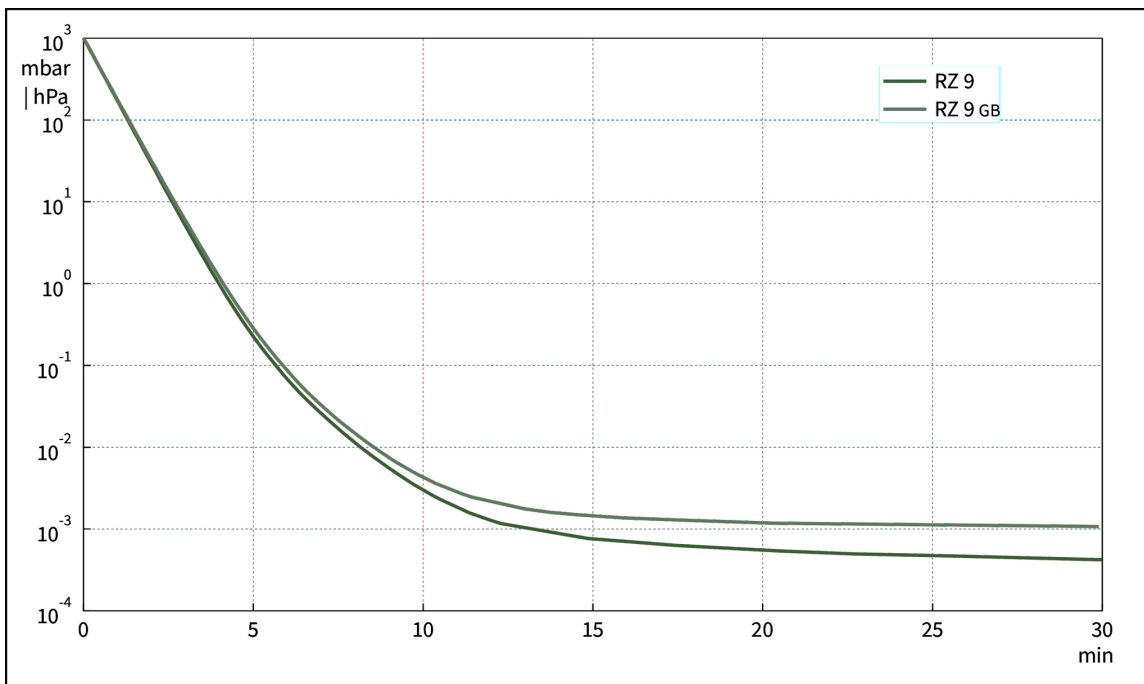
50 Hz下的抽气曲线 (100升容积)



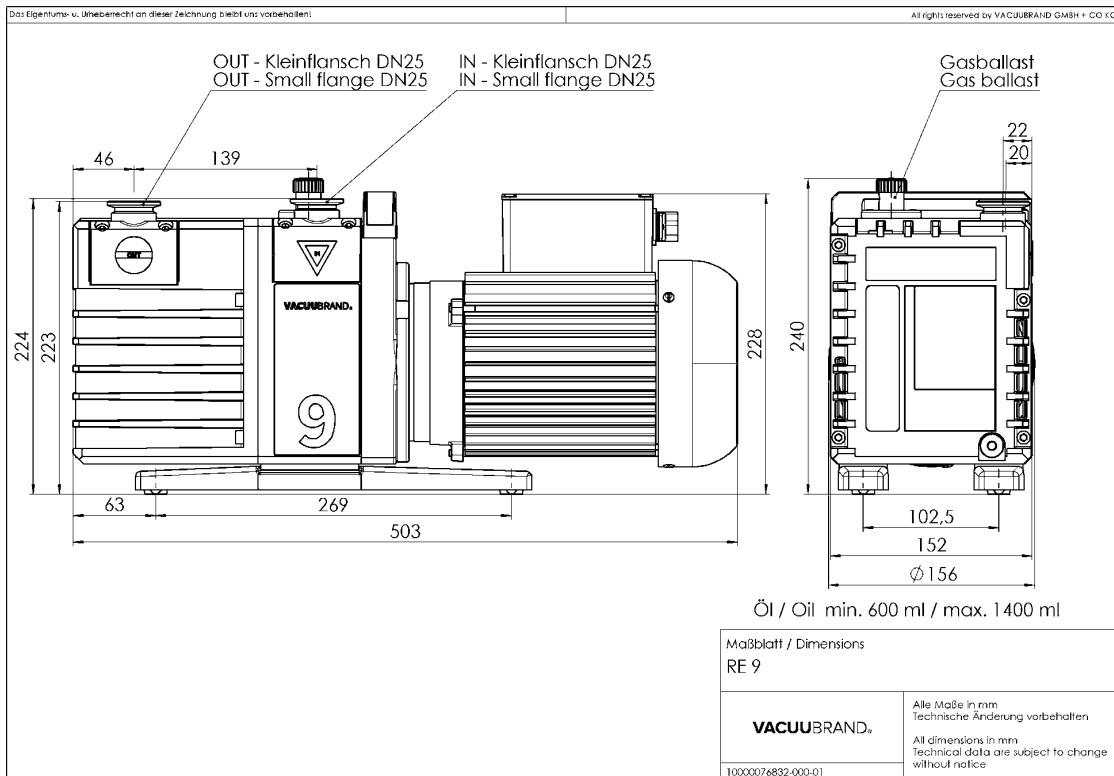
60 Hz下的抽速曲线



60 Hz下的抽气曲线 (100升容积)



## 尺寸规格表



VACUUBRAND GMBH + CO KG  
P.O. Box 1664  
97877 Wertheim  
T +49 9342 808 5550  
F +49 9342 808 5555

info@vacuubrand.com  
www.vacuubrand.com

**VACUUBRAND**®

VACUUBRAND is part of the Brand group, a manufacturer of high-quality and innovative laboratory equipment and vacuum technology with a global team of approx. 1,000 employees.

With highly motivated and qualified employees, we manufacture the world's most comprehensive product family for vacuum generation, measurement and control for the rough and fine vacuum range in the laboratory.

**All with one goal:**

Enabling our customers to run reliable, safe and efficient processes. This is why we commit ourselves to continuous innovation, first-class performance, and outstanding quality.

Engineering excellence is central to our ability to deliver products and solutions renowned for their quality, durability, and reliability. Innovative technology, high quality materials and extensive testing deliver unmatched performance - engineered and manufactured in Germany.

Together with you, our experts will find the best solution for your application and provide you with first-class service along the way.

BRAND (Shanghai) Trading Co., Ltd.  
Shanghai, China

T +86 21 6422 2318  
info@brand.com.cn  
china.brand.com.cn

BRAND Scientific Equipment Pvt. Ltd.  
Mumbai, India

T +91 22 42957790  
customersupport@brand.co.in  
www.brand.co.in

BRANDTECH® Scientific, Inc.  
Essex, CT. United States of America

T +1 860 767 2562  
info@brandtech.com  
www.brandtech.com