

Référence de commande

Désignation	Tension fréquence nominales	Type de fiche secteur	Référence
ME 2 NT	230 V 50-60 Hz	CEE	20730000
ME 2 NT	230 V 50-60 Hz	UK, IN	20730002
ME 2 NT	100-115 V 50-60 Hz 120 V 60 Hz	US	20730003

Livraison

Pompe complète, prête à l'emploi, silencieux, embout cranté, avec manuel d'utilisation.

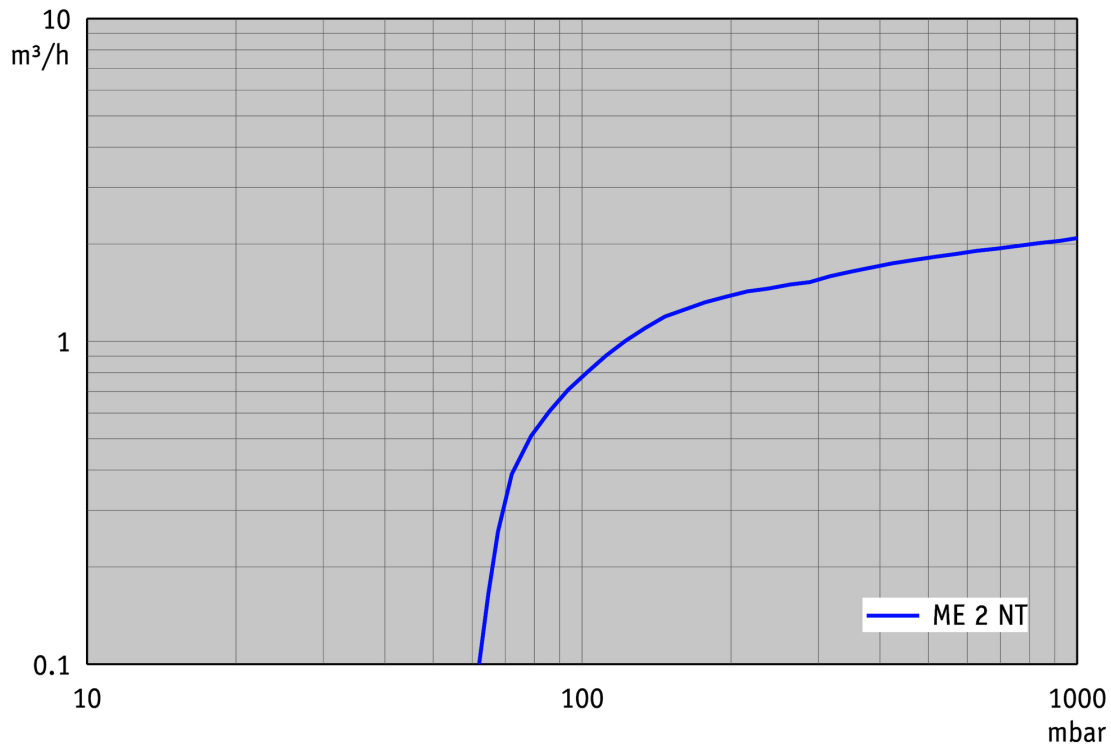
Accessoires

- Tuyau à vide caoutchouc DN 8 mm (20686001)
- Vanne vacuomètre pour le vide ME / MZ / MD 4 / NT (20696840)
- Set de membranes et clapets ME 2 NT (20696877)

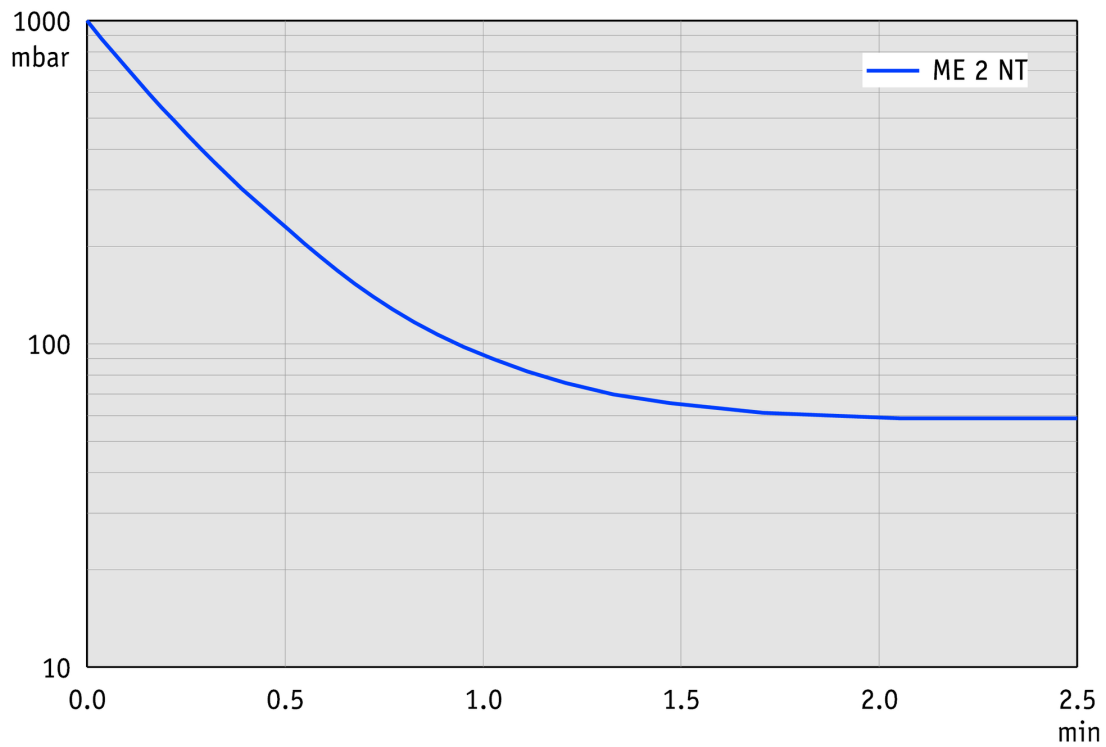
Caractéristiques techniques

Débit maximale 50 Hz (mbar)	2 m ³ /h
Débit maximale 60 Hz (cfm)	1.4 cfm
Vide limite	70 mbar / 52 torr
Nombre de cylindres	1
Nombre de d'étages	1
Température ambiante maxi admissible (service)	10 - 40 °C
Température ambiante maxi admissible (stockage)	-10 - 60 °C
Pression max. à l'échappement (abs.)	2 bar
Raccord côté aspiration	Embout DN 8-10 mm
Raccord côté pression	G1/4"
Puissance nominale du moteur	0.18 kW
Vitesse de rotation nominale 50/60 Hz	1500/1800 min ⁻¹
Classe de protection IP selon IEC 60529	IP 40
Dimensions (L x P x H)	245 mm x 211 mm x 198 mm
Poids	10.2 kg
Bruit (niveau de pression acoustique) en dBA à 50 Hz ou 1500 tr/min/ 62% (VARIO)/1500 tr/min (VARIO-SP)/12500 Upm (VACUU·PURE®)	45 dBA
Conformité ATEX	II 3/- G Ex h IIC T3 Gc X Internal Atm. only
Certification NRTL	Oui

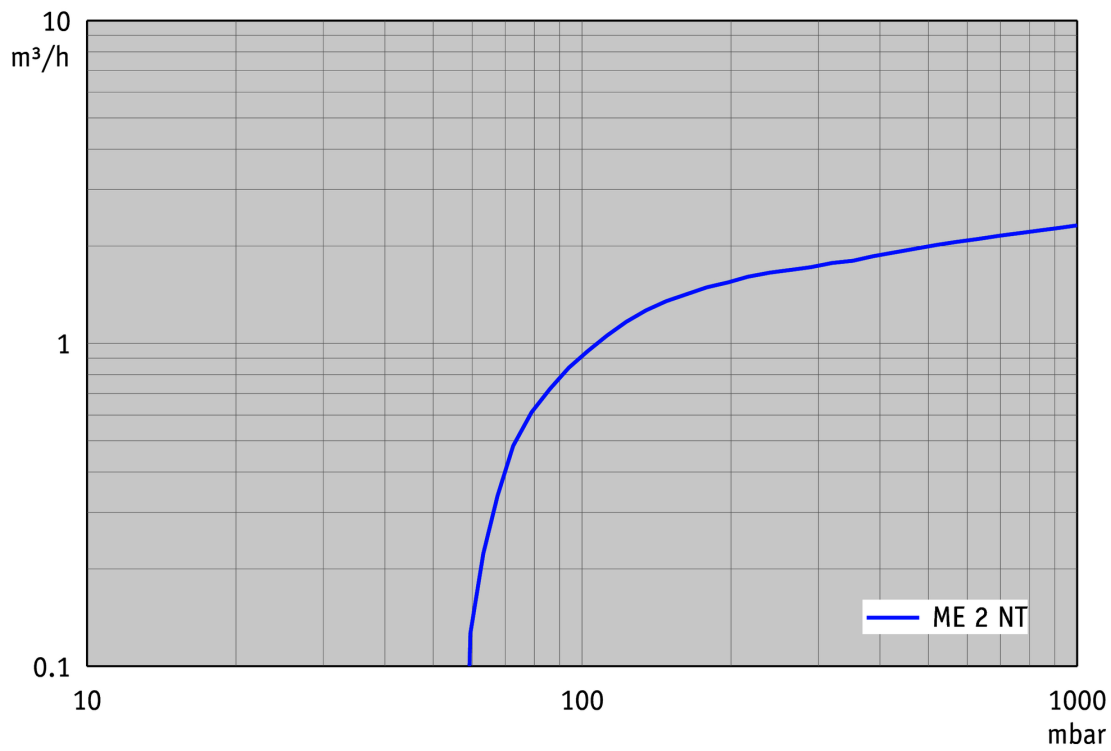
Courbe débit à 50 Hz



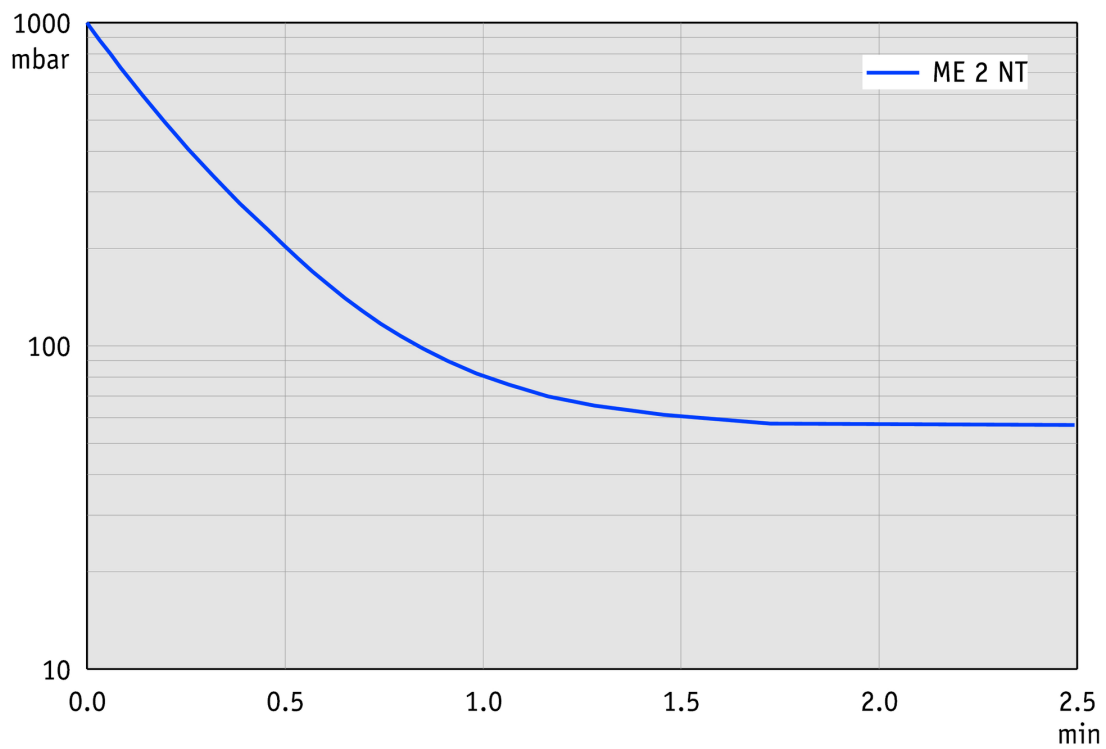
Courbe de pompage à 50 Hz (réservoir 10 l)



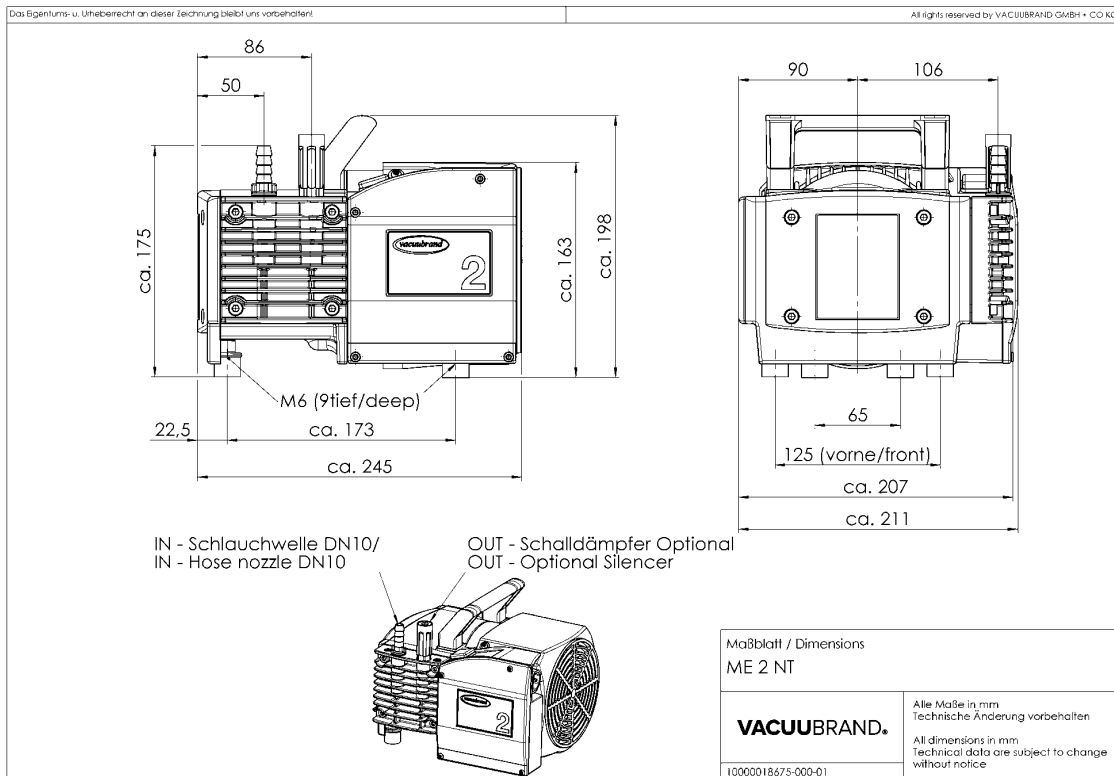
Courbe de débit à 60 Hz



Courbe de pompage à 60 Hz (réservoir 10 l)



Plan de masse



VACUUBRAND GMBH + CO KG
P.O. Box 1664
97877 Wertheim
T +49 9342 808 5550
F +49 9342 808 5555

info@vacuubrand.com
www.vacuubrand.com

VACUUBRAND®

VACUUBRAND is part of the Brand group, a manufacturer of high-quality and innovative laboratory equipment and vacuum technology with a global team of approx. 1,000 employees.

With highly motivated and qualified employees, we manufacture the world's most comprehensive product family for vacuum generation, measurement and control for the rough and fine vacuum range in the laboratory.

All with one goal:

Enabling our customers to run reliable, safe and efficient processes. This is why we commit ourselves to continuous innovation, first-class performance, and outstanding quality.

Engineering excellence is central to our ability to deliver products and solutions renowned for their quality, durability, and reliability. Innovative technology, high quality materials and extensive testing deliver unmatched performance - engineered and manufactured in Germany.

Together with you, our experts will find the best solution for your application and provide you with first-class service along the way.

BRAND (Shanghai) Trading Co., Ltd.
Shanghai, China

T +86 21 6422 2318
info@brand.com.cn
china.brand.com.cn

BRAND Scientific Equipment Pvt. Ltd.
Mumbai, India

T +91 22 42957790
customersupport@brand.co.in
www.brand.co.in

BRANDTECH® Scientific, Inc.
Essex, CT. United States of America

T +1 860 767 2562
info@brandtech.com
www.brandtech.com