

Diaphragm pump ME 4R NT

[Link to the website](#)



Product description

This one-stage diaphragm pump works as a vacuum generator and as well as a compressor. All parts in contact with pumped media are made of aluminum and selected plastics (PTFE diaphragms and valves). They enable a wide range of applications for non-corrosive gases. The inlet and outlet connections of the ME 4R NT are equipped with regulator valves for vacuum and overpressure, respectively. Both the compression pressure and vacuum level can be adjusted. Inlet vacuum level and outlet pressure are indicated by manometers.

Performance features

- contamination-free pumping, evacuation and compression
- high flow rate even near ultimate vacuum
- adjustment of outlet pressure and vacuum level with regulator valves
- very low vibration
- exceptionally long diaphragm life and maintenance-free drive system for low lifetime costs

Ordering data

| Product name | Nominal mains voltage mains frequency | Plug type | Articleno. |
|--------------|---|-----------|------------|
| ME 4R NT | 230 V 50-60 Hz | UK, IN | 20731102 |

Items supplied

Pump completely mounted, ready for use, with manual.

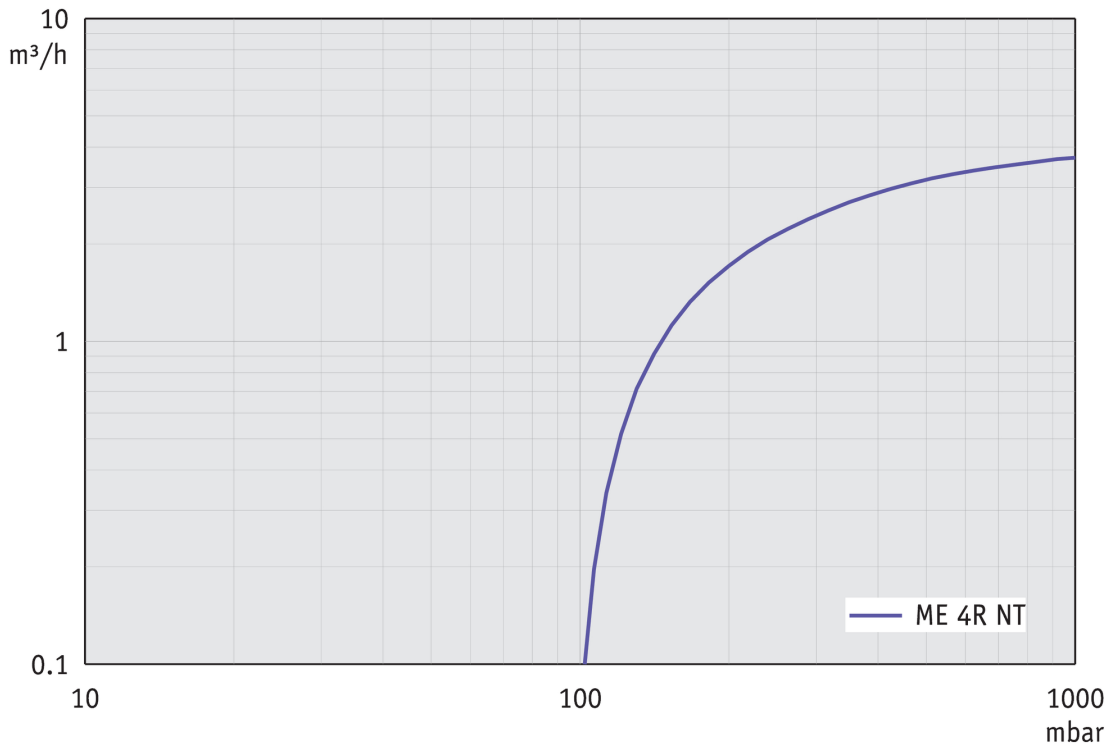
Accessories

- Rubber vacuum tubing DN 8 mm (20686001)

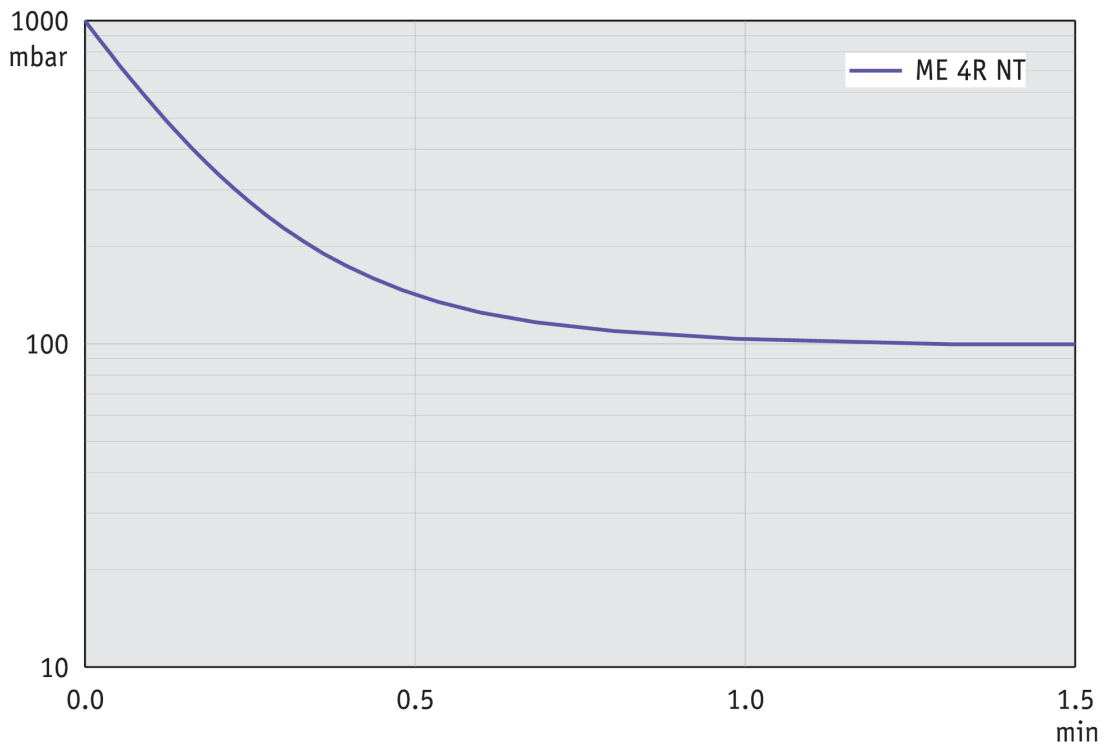
Technical data

| | |
|--|-----------------------------|
| Max. pumping speed 50 Hz (mbar) | 3.8 m ³ /h |
| Max. pumping speed 60 Hz (cfm) | 2.5 cfm |
| Ultimate vacuum | 100 mbar / 75 torr |
| Number of heads | 2 |
| Number of stages | 1 |
| Vacuum controller | Manometer |
| Permissible ambient temperature range (operation) | 10 - 40 °C |
| Permissible ambient temperature range (storage) | -10 - 60 °C |
| Max. outlet pressure (abs.) | 4 bar |
| Inlet connection | Hose nozzle DN 8-10 mm |
| Outlet connection | Hose nozzle DN 8-10 mm |
| Rated motor power | 0.18 kW |
| Rated speed 50/60 Hz | 1500/1800 min ⁻¹ |
| Protection class IEC 60529 | IP 40 |
| Dimensions (L x W x H) | 254 mm x 268 mm x 290 mm |
| Weight | 11.5 kg |
| Noise (sound pressure level) in dBA at 50 Hz or 1500 rpm/62% (VARIO)/1500 rpm (VARIO-SP)/12500 Upm (VACUU·PURE®) | 45 dBA |
| NRTL certification | Yes |

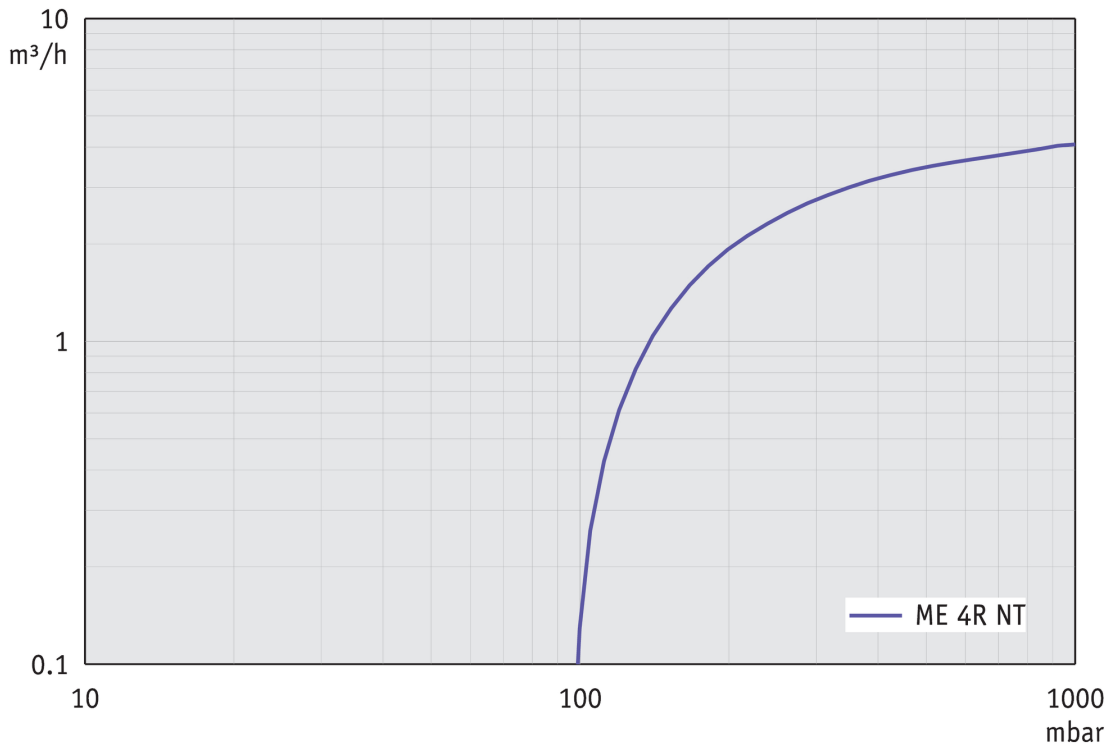
Pumping speed graph at 50 Hz



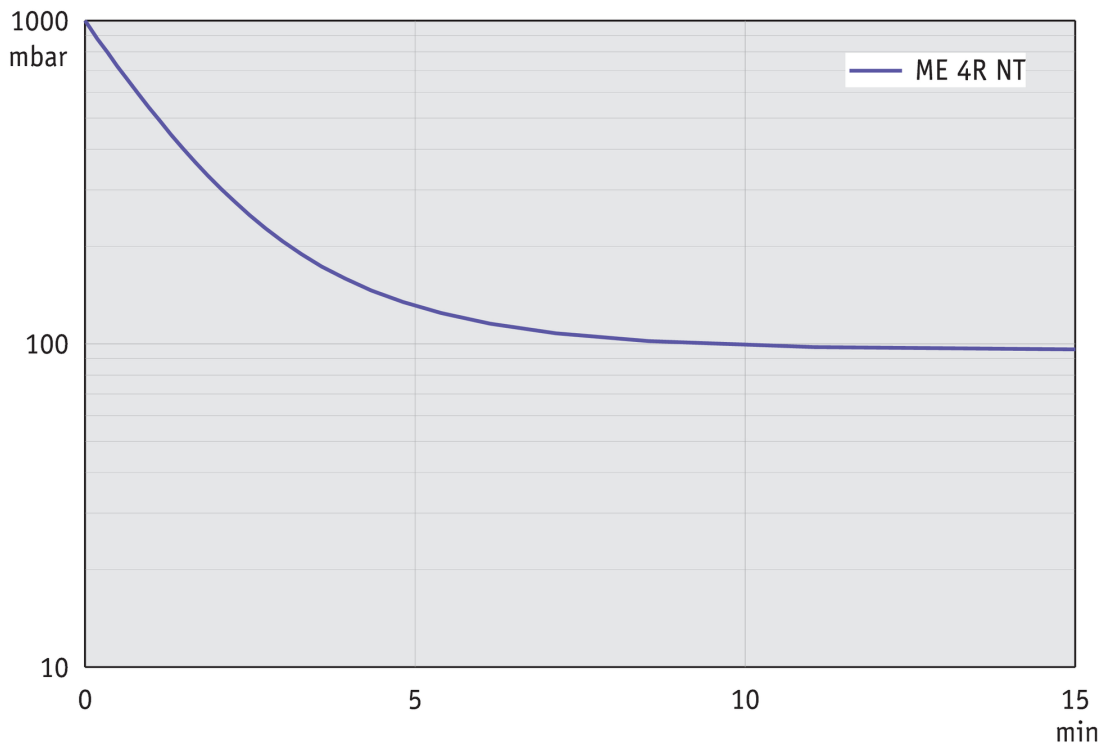
Pump down graph at 50 Hz (10 l volume)



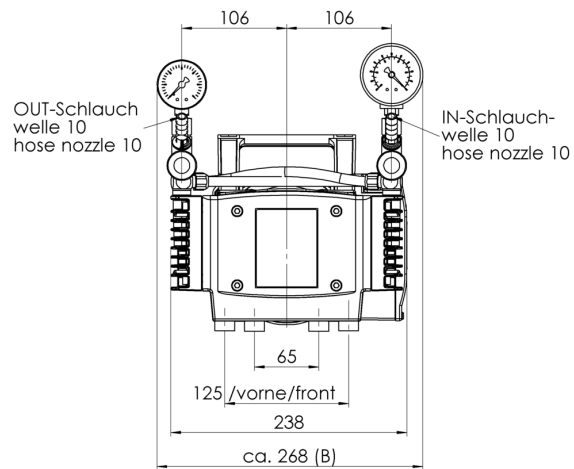
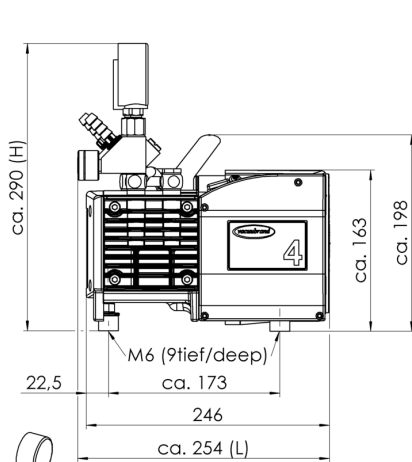
Pumping speed graph at 60 Hz



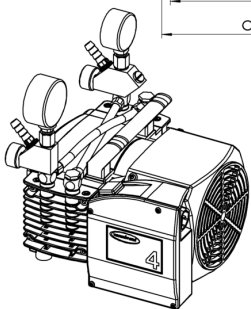
Pump down graph at 60 Hz (10 l volume)



Dimension sheet



Alle Maße / all dimensions (mm)



ME 4R NT
Version 03

VACUUBRAND GMBH + CO KG
P.O. Box 1664
97877 Wertheim
T +49 9342 808 5550
F +49 9342 808 5555

info@vacuubrand.com
www.vacuubrand.com

VACUUBRAND®

VACUUBRAND is part of the Brand group, a manufacturer of high-quality and innovative laboratory equipment and vacuum technology with a global team of approx. 1,000 employees.

With highly motivated and qualified employees, we manufacture the world's most comprehensive product family for vacuum generation, measurement and control for the rough and fine vacuum range in the laboratory.

All with one goal:

Enabling our customers to run reliable, safe and efficient processes. This is why we commit ourselves to continuous innovation, first-class performance, and outstanding quality.

Engineering excellence is central to our ability to deliver products and solutions renowned for their quality, durability, and reliability. Innovative technology, high quality materials and extensive testing deliver unmatched performance - engineered and manufactured in Germany.

Together with you, our experts will find the best solution for your application and provide you with first-class service along the way.

BRAND (Shanghai) Trading Co., Ltd.
Shanghai, China

T +86 21 6422 2318
info@brand.com.cn
china.brand.com.cn

BRAND Scientific Equipment Pvt. Ltd.
Mumbai, India

T +91 22 42957790
customersupport@brand.co.in
www.brand.co.in

BRANDTECH® Scientific, Inc.
Essex, CT. United States of America

T +1 860 767 2562
info@brandtech.com
www.brandtech.com