

VARIO® chemistry pumping unit PC 3001 VARIO select TE

[Link to the website](#)



Product description

The PC 3001 VARIO select pumping unit precisely controls the vacuum level in order to achieve unparalleled process control. This pump is suitable for even high boiling point solvents. The integrated VACUU·SELECT controller provides an easy-to-use, application based interface that covers all common lab applications. The VACUU·SELECT controller has you covered. Use manual set-point-control for simple processes, run fully automated distillations, or create your own application with simple drag-and-drop editing. For solvent evaporation, the VACUU·SELECT controller detects solvent boiling and automatically adjusts the pump's motor speed to maintain process control. The VARIO motor speed control also makes the pump whisper quiet and provides for exceptionally long maintenance intervals. The inlet separator, made of glass with a robust protective coating, prevents particles and liquid droplets from entering the pump, preventing damage and extending pump life. The PC 3001 VARIO select TE is equipped with a dry ice condenser at the pump exhaust, so that no cooling water connection is required.

Performance features

- dry ice condenser at the pump exhaust, no cooling water connection required
- simplify lab work with the VACUU·SELECT vacuum controller with graphic user interface and predefined applications
- automatic boiling point detection and continuous optimization of vacuum levels for quick process times, whisper quiet and ultra low vibration
- compact and powerful; superior performance even with continuous condensate purge
- eco-friendly: extremely low power consumption and efficient solvent recovery. Oil-free!

Ordering data

Product name	Nominal mains voltage mains frequency	Plug type	Articleno.
PC 3001 VARIO select TE	200-230 V 50-60 Hz 100-120 V 50-60 Hz	CEE	20700220
PC 3001 VARIO select TE	200-230 V 50-60 Hz 100-120 V 50-60 Hz	US	20700223

Items supplied

Pumping unit completely mounted, ready for use, with manual.

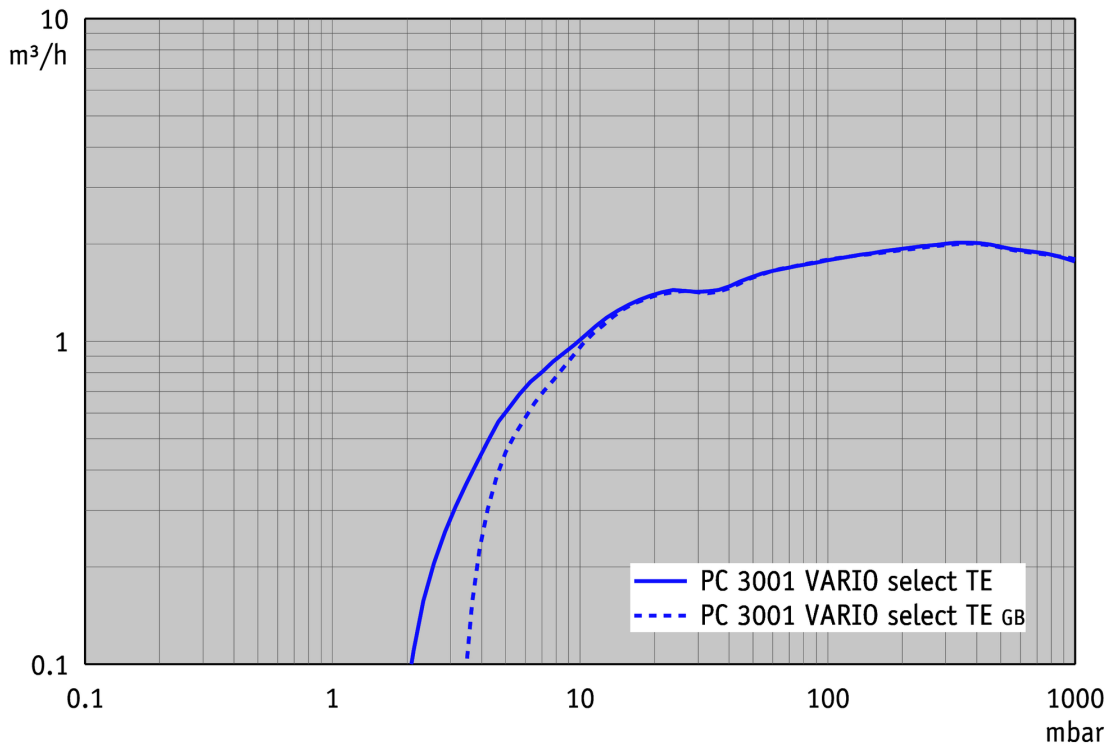
Accessories

- Function extension for VACUU·SELECT controller VACUU·SELECT User Management (20700900)
- Rubber vacuum tubing DN 8 mm (20686001)
- Adjustable elbow DN 10/8 mm (20637873)
- Fluid level sensor for round bottom flask 500 ml 500 ml (20699908)
- Air admittance valve VB M-B (20674217)
- Function extension for VACUU·SELECT controller VACUU·SELECT User Management (20700900)
- Rubber vacuum tubing DN 8 mm (20686001)
- Adjustable elbow DN 10/8 mm (20637873)
- Fluid level sensor for round bottom flask 500 ml 500 ml (20699908)
- Cooling water valve VKW-B (20674220)
- Set of diaphragms and valves for MD 1C, MD 1C VARIO-SP, PC 2001/ 3001 VARIO, MV 0.5C MD 1C, MD 1C +AK+EK, MD 1C VARIO-SP, PC 2001 VARIO, PC 3001 VARIO, MV 0.5C (20696828)

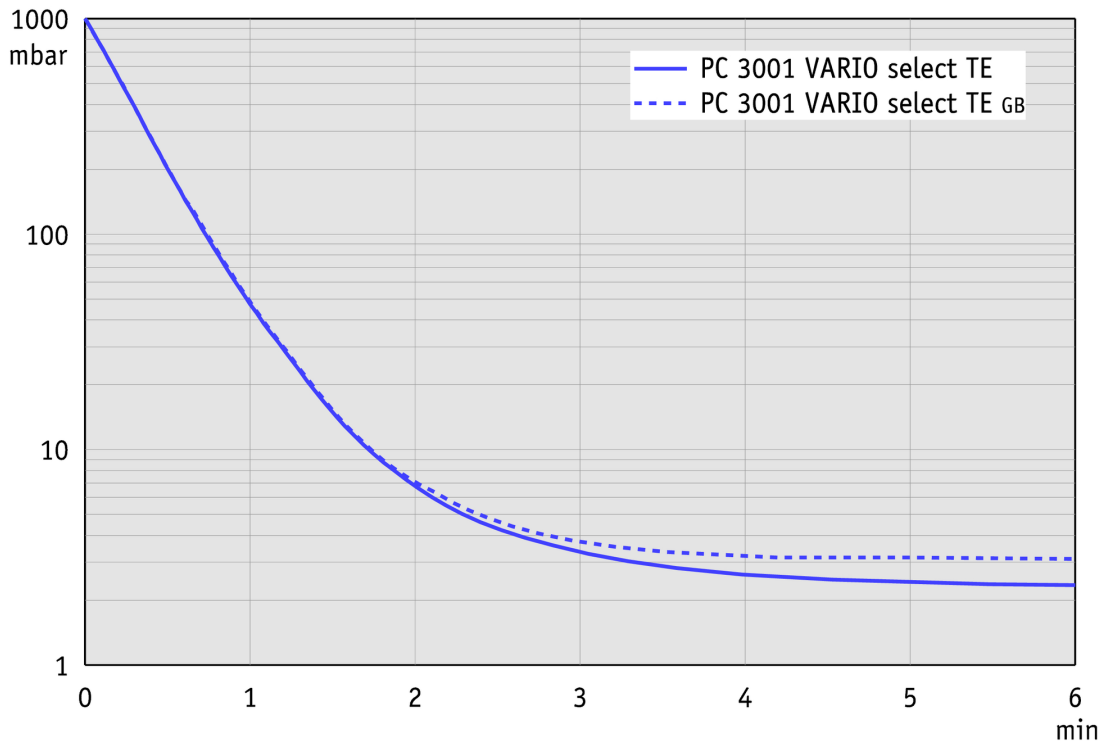
Technical data

Max. pumping speed 50 Hz (mbar)	2 m ³ /h
Max. pumping speed 60 Hz (cfm)	1.18 cfm
Ultimate vacuum	2.0 mbar / 1.5 torr
Ultimate vacuum with gas ballast	4 mbar / 3 torr
Number of heads	4
Number of stages	3
Vacuum controller	VACUU·SELECT
Permissible ambient temperature range (operation)	10 - 40 °C
Permissible ambient temperature range (storage)	-10 - 60 °C
Max. outlet pressure (abs.)	1.1 bar
Inlet connection	Hose nozzle DN 6-10 mm
Outlet connection	Hose nozzle DN 8-10 mm
Coolant connection	2 x hose nozzle DN 6-8 mm
Rated motor power	0.16 kW
Motor speed range	200 - 3000 min ⁻¹
Protection class IEC 60529	IP 20
Dimensions (L x W x H)	301 mm x 341 mm x 493 mm
Weight	8.7 kg
Noise (sound pressure level) in dBA at 50 Hz or 1500 rpm/62% (VARIO)/1500 rpm (VARIO-SP)/12500 Upm (VACUU·PURE®)	42 dBA
NRTL certification	Yes
Interface	Ethernet (RJ45): Modbus TCP / USB (Type A): Data transfer, software update, RS-232 (additional adapter required)

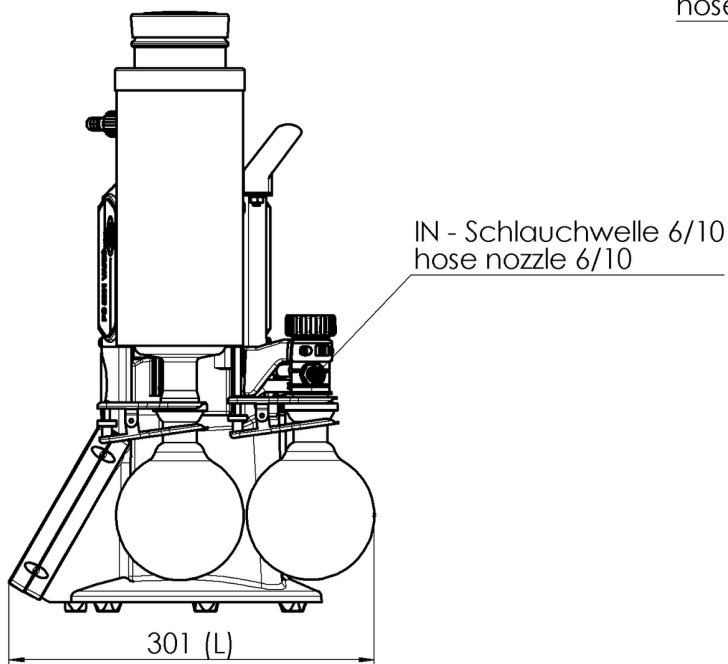
Pumping speed graph at 50 Hz



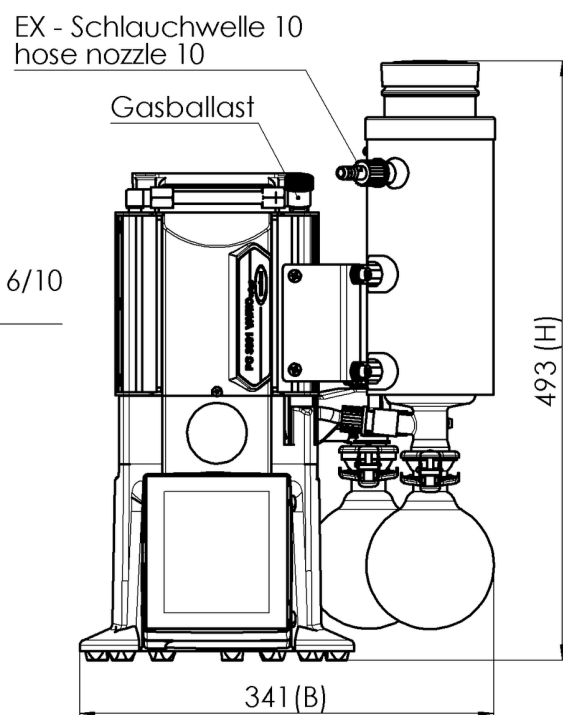
Pump down graph at 50 Hz (10 l volume)



Dimension sheet



Alle Maße / all dimensions (mm)
Gewicht / weight 8,7 kg



VACUUBRAND PC 3001 VARIO select TE
Version 2017/06/29

VACUUBRAND GMBH + CO KG
P.O. Box 1664
97877 Wertheim
T +49 9342 808 5550
F +49 9342 808 5555

info@vacuubrand.com
www.vacuubrand.com

VACUUBRAND®

VACUUBRAND is part of the Brand group, a manufacturer of high-quality and innovative laboratory equipment and vacuum technology with a global team of approx. 1,000 employees.

With highly motivated and qualified employees, we manufacture the world's most comprehensive product family for vacuum generation, measurement and control for the rough and fine vacuum range in the laboratory.

All with one goal:

Enabling our customers to run reliable, safe and efficient processes. This is why we commit ourselves to continuous innovation, first-class performance, and outstanding quality.

Engineering excellence is central to our ability to deliver products and solutions renowned for their quality, durability, and reliability. Innovative technology, high quality materials and extensive testing deliver unmatched performance - engineered and manufactured in Germany.

Together with you, our experts will find the best solution for your application and provide you with first-class service along the way.

BRAND (Shanghai) Trading Co., Ltd.
Shanghai, China

T +86 21 6422 2318
info@brand.com.cn
china.brand.com.cn

BRAND Scientific Equipment Pvt. Ltd.
Mumbai, India

T +91 22 42957790
customersupport@brand.co.in
www.brand.co.in

BRANDTECH® Scientific, Inc.
Essex, CT. United States of America

T +1 860 767 2562
info@brandtech.com
www.brandtech.com